

ULTIMA+ OP

www.armstrong.eu

Armstrong[®]

ULTIMA+ OP

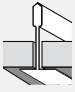
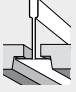
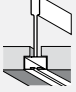
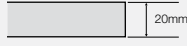
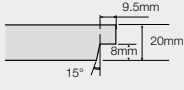
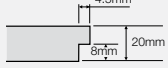


Recycled Content

Light Reflectance

Concentration

ULTIMA+ OP

	BOARD	TEGULAR	MICROLOOK 90
			
	Prelude XL ² /TLX 24 mm Prelude Sixty ²	Prelude XL ² /TLX 24 mm Prelude Sixty ²	Prelude XL ² /TL 15 mm Interlude XL ² 15 mm Silhouette XL ² 15 mm
			
600 x 600 x 20 mm	7682 M	7678 M	7685 M
625 x 625 x 20 mm	7682 D	7678 D	7685 D
675 x 675 x 20 mm	7683 M	7679 M	7686 M
600 x 1200 x 20 mm	7684 M	7680 M	7687 M



EN ISO 354 &
EN ISO 11654

α_w	NRC	125	250	500	1000	2000	4000	Hz	α_p
1.00	0.95	0.40	0.80	1.00	0.95	1.00	1.00		

Sound Absorption Class = A



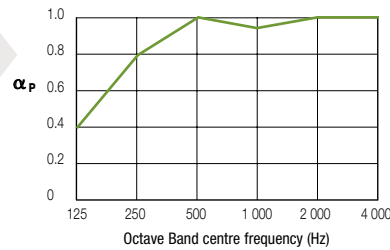
EN ISO 10848-2
& EN ISO 717-1

D_{nfw}	25 dB
-----------	-------



EN ISO 140-3
& EN ISO 717-1

R_w	10 dB
-------	-------



EEA	Euroclass A2-s1, d0
EN 13501-1	

RUS	KM1 (G1, V1, D1, T1)
FZ 123	



EN 12667
& ISO 8301

$\lambda = 0.037 \text{ W/m K}$



95 % RH



ISO 14644-1

ISO 5



$\approx 3.7 \text{ kg/m}^2$



Please contact our Armstrong Technical Sales Group for further details.

www.armstrong.eu



Armstrong®