

CEILING&WALL | SYSTEMS

Between us, ideas become reality®

Metal
product

CELLIO System

Open Cell

Armstrong®

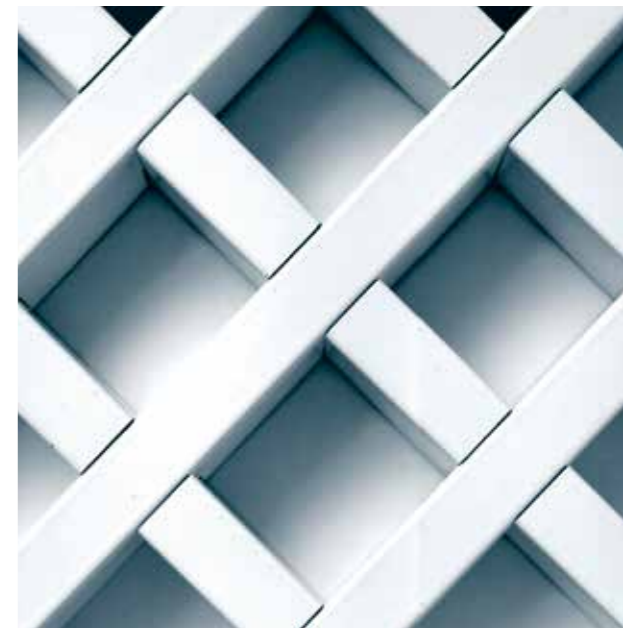


CELLIO SYSTEM

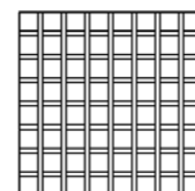
OPEN CELL

SPECIFICATION

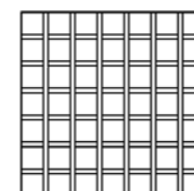
System	Armstrong open cell ceiling system Cello, Lay-In solution with visible grid 15 mm
Panel material	Aluminium sheet 0.4 mm (steel 0.3 mm on request)
Coating	Global white, RAL 9005 or RAL 9006 pre-coated powder painted visible surface, other RAL colours on request
Execution	Standard module 600 x 600 x 37 mm
Grid System	Tested modular system Prelude 15 TL
Perimeter	Range of standard trims in steel and aluminium plus custom bulkheads available
Service integration	The flexibility of the Prelude 15mm TL exposed grid system, together with Cello's variety of open cell sizes, makes integration of services such as lighting, sprinklers and air grills, easy.



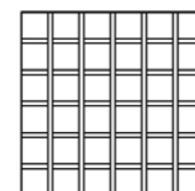
STANDARD CELL SIZES



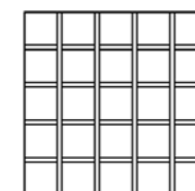
Cell size 75 x 75 mm
64% open area
31° cut off angle



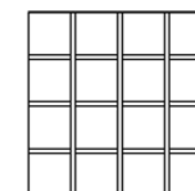
Cell size 86 x 86 mm
68% open area
27° cut off angle



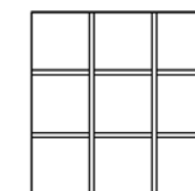
Cell size 100 x 100 mm
72% open area
23° cut off angle



Cell size 120 x 120 mm
76% open area
19° cut off angle



Cell size 150 x 150 mm
81% open area
15° cut off angle



Cell size 200 x 200 mm
85% open area
11° cut off angle

BENEFITS

- Easy to install and remove for service integration
- Decorative solutions achieved through a variety of cell sizes

APPLICATION AREA

- Cello system is recommended for shops, supermarkets, shopping centres, entrance areas, airports, railway stations and showrooms.

HUMIDITY EXPOSURE

Up to 95% RH (for short term exposure).

SERVICES INTEGRATION

The open cell nature of Celloio allows coordination and integration of service elements within the cells of the Celloio tiles. The actual size of the cell openings is the cell module size minus 15 mm.

CLEANING

Dust should be removed from the painted surface by wiping with a clean soft cloth. More stubborn marks should be removed with a mild household detergent in warm water. Excessive use of water should be avoided. The use of abrasive cleaners of the painted surface is not recommended.

COLOURS

Standard colours



Special colours

Other colours available on request

QUALITY STANDARD

Armstrong is a certified **EN ISO 9001:2008** Quality Assumed Manufacturer. All Armstrong ceiling and grid systems are manufactured to the relevant tolerances and quality standards appropriate to material. Where differences exist between this and any expressed or implied architectural specifications or requirements then Armstrong's manufacturing standards will prevail unless stated otherwise.

ENVIRONMENTAL

Our European manufacturing plants are certified to:

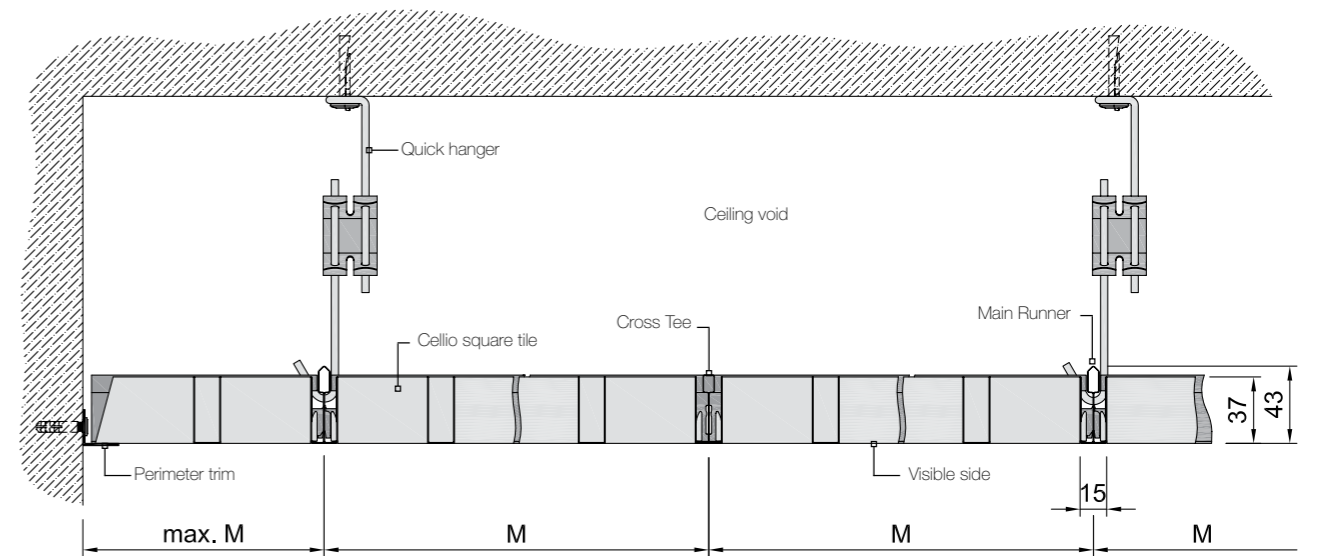
ISO 14001:2004 + Cor. 1:2009.

Armstrong is a member of TAIM (Technical Association of Industrial Metal Ceilings).

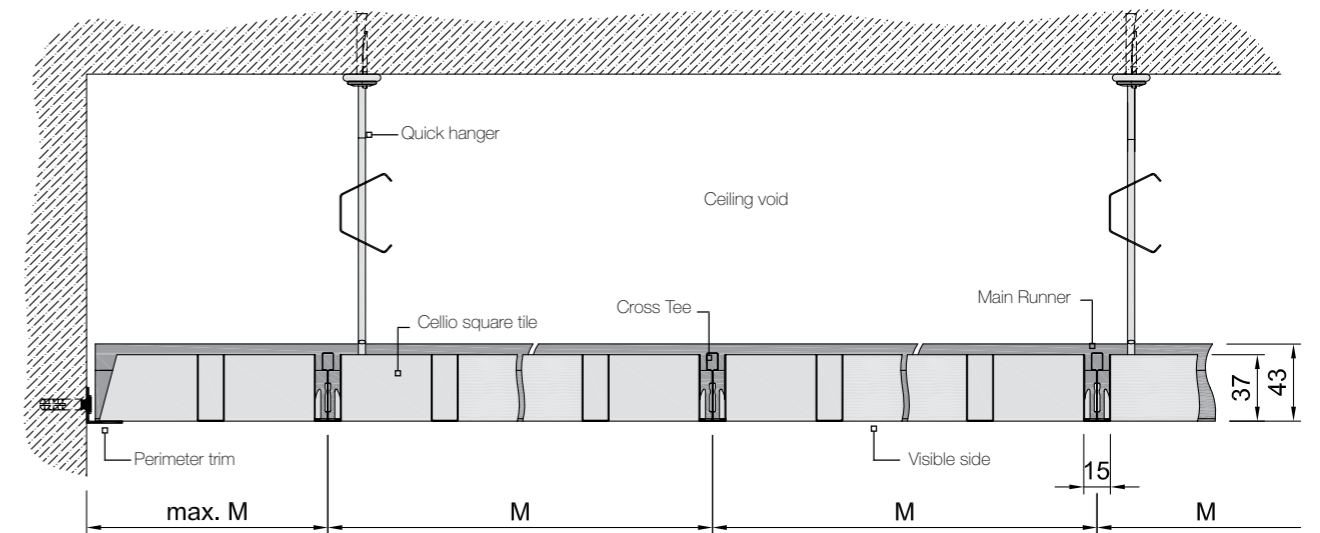


PROJECT: Aerodrom "Nikola Tesla" Beograd (RS) : ARCHITECT: Vladimir Marjanović

CROSS-SECTION

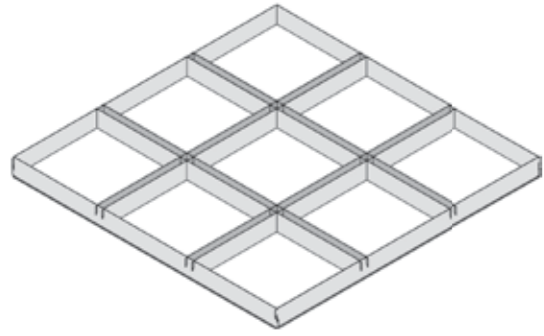


LONGITUDINAL-SECTION

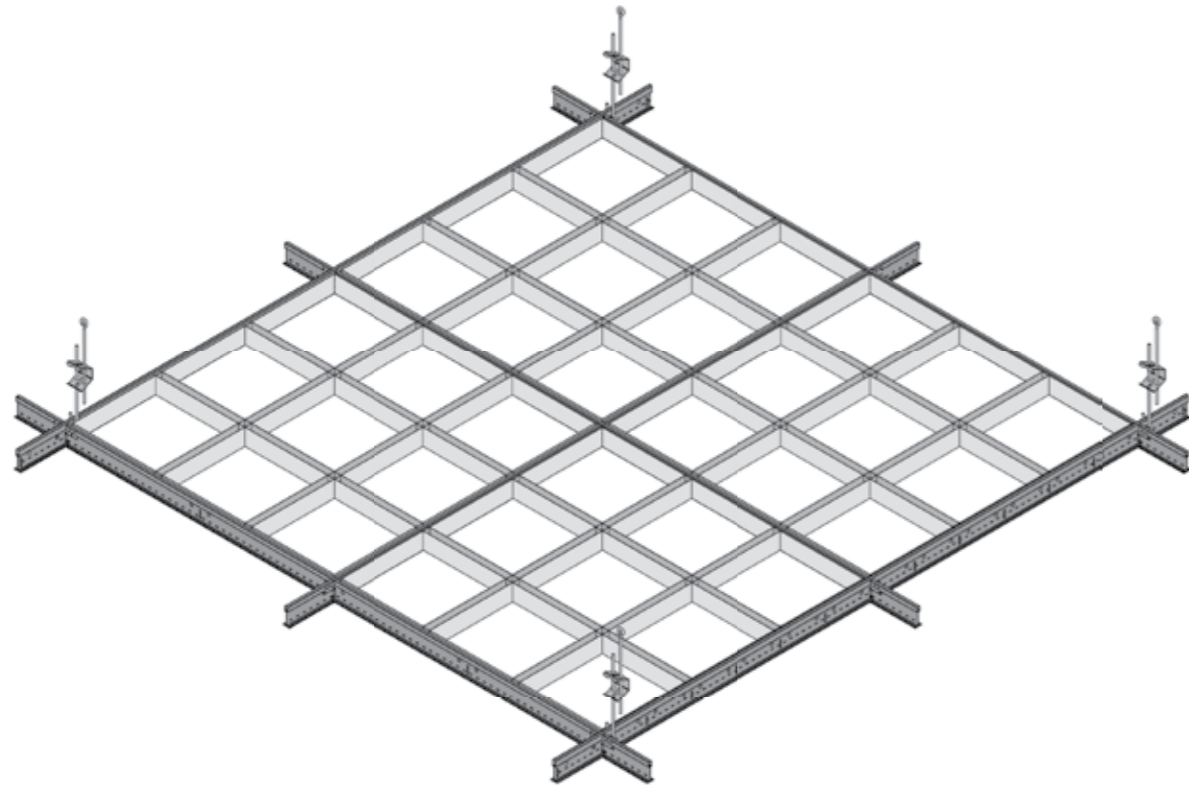
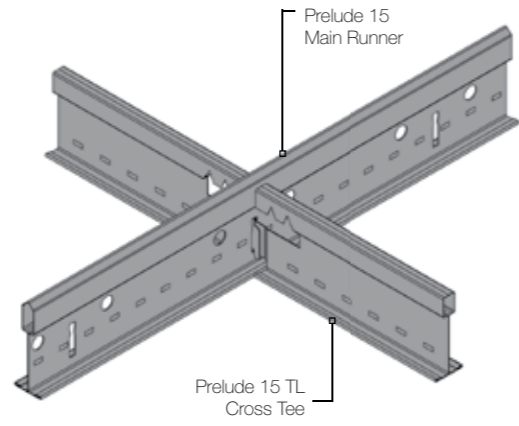


M = module size

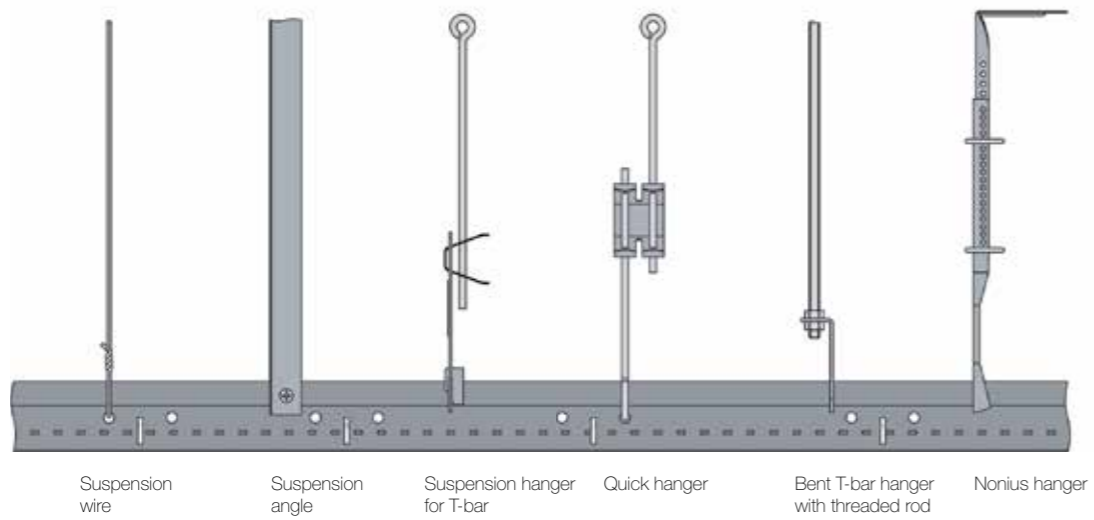
Detail A Cello square tile



Detail B Prelude 15 TL grid solution



Detail C suspension methods



PROJECT: Oficinas Recicladhor (SP) : ARCHITECT: Javier Redondo

WESTERN EUROPE

Belgium & Luxembourg

Armstrong Building Products B.V.
Bureaux Commerciaux Belgique
Postbus 3803
4800 DV Breda
Nederland
Tel.: (+32) 02 223 00 72
Fax: (+31) 076 521 04 07
e-mail: belenlux-info@armstrong.com
www.armstrong-plafonds.be

Germany & Switzerland

Armstrong Building Products
Kundenservice
Office Building Quadrium
Claudius Prinsenlaan 126
4818 CP Breda
Niederlande
Tel.: (+49) 0251 7603 210
Fax: (+49) 0251 7603 593
e-mail: deutsche-info@armstrong.com
www.armstrong-decken.de
www.armstrong-decken.at
www.armstrong.ch

Armstrong Metalldecken AG
Breitfeldstrasse 8
9015 St. Gallen
Switzerland
Tel.: +41 (0) 71 313 63 63
Fax: +41 (0) 71 313 64 00

Zentralschweiz
Armstrong Metalldecken AG
Büro / Lager Zentralschweiz
Grossweid 9
CH-6026 Rain
Tel.: +41 (0) 41 921 63 63
Fax: +41 (0) 41 921 63 80

Suisse Romande
Armstrong Plafonds Métalliques SA
Bureau Suisse Romande
3, rue Gustave-Monynier
CH-1202 Genève
Tel.: +41 (0) 22 731 60 70
Fax: +41 (0) 22 731 60 74

Austria

Armstrong Metalldecken GmbH
Bundesstrasse 70
A-6830 Rankweil
Tel.: +43 (0) 55 22 34 44-0
Fax: +43 (0) 55 22 34 44-8

Armstrong Metalldecken GmbH
Messendorferstrasse 6
A-8041 Graz
Tel.: +43 (0) 31 64 71 584
Fax: +43 (0) 31 64 71 584-10

Spain

Armstrong Building Products
Oficina de ventas España
Immeuble Paryseine
3 Allée de la Seine
94854 Ivry-sur-Seine
Francia
Tel.: (+34) 91 642 04 99
00 800 90 21 03 68
Fax: (+33) 1 4521 04 11
e-mail: info-espana@armstrong.com
www.armstrong.es/techos

Portugal

Armstrong Floor Product
Rua de Manuel Assunção de Falcao, 63
4475-041 Santa Maria de Avioso - Maia
Portugal
Tel.: (+351) 22 982 81 10
Fax: (+351) 22 982 81 19
e-mail: service_portugal@armstrong.com
www.armstrong.com.pt

France & French Speaking Africa

Armstrong Building Products SAS
Bureaux Commerciaux France
Immeuble Paryseine
3 Allée de la Seine
94854 Ivry-sur-Seine
Tel.: 0800 41 36 43
Fax: (+33) 1 45 21 04 11
e-mail: info-france@armstrong.com
www.armstrong.fr/plafonds

Siège social
Armstrong Building Products SAS
67 Rue de Salins
BP 89
25300 Pontarlier
France

Italy & Greece

Armstrong Building Products
Ufficio Commerciale Italia
Immeuble Paryseine
3 Allée de la Seine
94854 Ivry-sur-Seine
Francia
Tel.: (+39) 02 66 22 76 50
Fax: (+39) 02 66 20 14 27
e-mail: info-italia@armstrong.com
www.armstrong-soffitti.it
www.armstrong.eu

Netherlands

Armstrong Building Products B.V.
Verkoopkantoor Nederland
Postbus 3803
4800 DV Breda
Nederland
Tel.: (+31) 076 521 77 33
Fax: (+31) 076 521 04 07
e-mail: belenlux-info@armstrong.com
www.armstrong.nl/plafonds

United Kingdom

Armstrong World Industries Ltd
Building Products Division
Armstrong House
38 Market Square
Uxbridge UB8 1NG
Tel.: 0800 371849
Fax: (+44) 1895 274287
e-mail: sales-support@armstrong.com
www.armstrong-ceilings.co.uk

Republic of Ireland

Armstrong World Industries Ltd.
108 Greenlea Road
Terenure
Co Dublin 6W
Ireland
Tel.: 1800 409002
Tel.: (+353) 1 499 1701
Fax: (+353) 1 490 7061
e-mail: sales-support@armstrong.com
www.armstrong-ceilings.ie

CENTRAL EUROPE NORTH

(DK/EE/FIN/IS/LT/LV/N/PL/S)

Armstrong Building Products BV
Sp. z o.o. Oddział w Polsce
ul. Domaniewska 37
02-672 Warszawa
Poland
Tel.: (+48) 0 22 337 86 10/ 86 11
Fax: (+48) 0 22 337 86 12
e-mail: service-ce@armstrong.com
Latvia: www.armstrong.lv
Lithuania: www.armstrong.lt
Norway: www.armstrong.no
Poland: www.armstrong.pl
Sweden: www.armstrong.se

CENTRAL EUROPE SOUTH

(AL/BA/BG/CZ/HR/HU/KO/ MD/ME/MK/RO/RS/SK/SI)

Armstrong Building Products
Lighthouse Building,
Jankovcova 1569/2c,
170 00 Praha 7,
Czech Republic
Tel.: +420 234 700 543
e-mail: service-ce@armstrong.com
Czech Republic: www.armstrong.cz
Hungary: www.armstrong.co.hu
Romania: www.armstrong.ro
Serbia: www.armstrong.rs
Slovakia: www.armstrong.sk
Slovenia: www.armstrong.si

EASTERN EUROPE

CIS

Armstrong Moscow GmbH
Park Place, office E502
113/1, Leninsky Prospekt
Moscow 117198
Russia
Tel.: (+7) 495 956 5100
Fax: (+7) 495 956 5101
e-mail: info-cis@armstrong.com
Russian Federation: www.armstrong.ru

MIDDLE EAST / AFRICA / TURKEY

Armstrong World Industries Ltd Africa Middle East Turkey Division

Armstrong House
38 Market Square
Uxbridge UB8 1NG
Tel.: (+44) 01895 251122
Fax: (+44) 01895 272928
e-mail: sales-support@armstrong.com
www.armstrong.eu
Israël: www.armstrong.co.il
South Africa: www.armstrong-ceilings.co.za

Dubai | United Arab Emirates

Armstrong World Industries JLT
Office No. 2003, 20th Floor
Gold Crest Executive Tower
Jumeirah Lakes Towers
P.O. Box 73831
Dubai, U.A.E.
info-me@armstrong.com
www.armstrong.ae

Türkiye

Armstrong Europa GmbH
Türkiye Satış Temsilciliği
Sarıyer-İstanbul
Türkiye
Gsm: +90 533 367 54 89
Fax: +90 212 257 44 78
www.armstrong.com.tr
cbalci@armstrong.com

Armstrong®