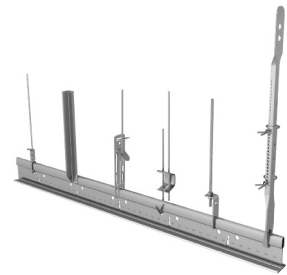
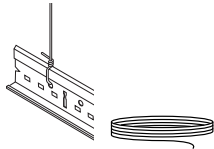


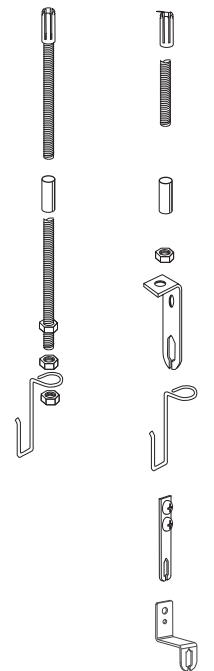
ACCESSORIES



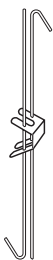
Suspension & Accessories



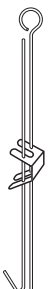
Item Nr.	Description	Dimensions length (mm)	Content / Carton pcs	Weight / Carton kg	Admissible Load* kg
A W950 G	Suspension wire dia. 2 mm	ca. 200 metres	1 coil	4,70	41



A 1843 G	Expanded bolt for threaded rod dia. 6 mm	25	100	0,50	
A 1829 G	Threaded rod dia. 6 mm	1000	50	8,50	
A 1839 G	Connection for threaded rod dia. 6 mm	20	100	0,60	
A 1827 G	Nut for threaded rod		100	0,20	
▲ A WDN20 H	Bent tee bar hanger for threaded rod	57	100	1,40	
A 14 G	Universal clip	40	100	1,00	20 (tested with 6 mm threaded rod)
▲ A WDN21 H	T bar hanger	-	20	0,30	32
▲ A WDN23 G	Double bent T bar hanger with 2 sizes of diameter hole	57	100	2,30	32



A 11030 G	Quick hanger - hook (2 hooks)	165-280	100	5,40	41
A 11020 G	Quick hanger - hook (2 hooks)	215-380	100	4,10	
A 11040 G	Quick hanger - hook (2 hooks)	315-580	100	8,50	
A 11070 G	Quick hanger - hook (2 hooks)	415-780	100	10,50	
A 11090 G	Quick hanger - hook (2 hooks)	515-980	100	13,00	



A 12030 G	Quick hanger - eye (1 hook +1 eye)	165-280	100	5,20	41
A 12020 G	Quick hanger - eye (1 hook +1 eye)	215-380	100	4,10	
A 12040 G	Quick hanger - eye (1 hook +1 eye)	315-580	100	8,30	
A 12070 G	Quick hanger - eye (1 hook +1 eye)	415-780	100	10,50	
A 12090 G	Quick hanger - eye (1 hook +1 eye)	515-980	100	13,00	

* **Note:** These admissible loads have been determined from laboratory tests in accordance with EN 13964 : 2004 + A1 : 2006 and apply to the hangers and their grid connections only. No account has been taken of the strength of top fixings which must be selected as appropriate for the supporting structure and estimated load.

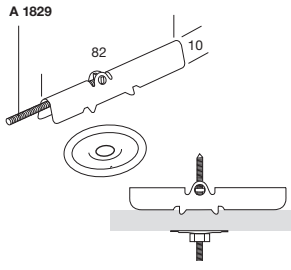
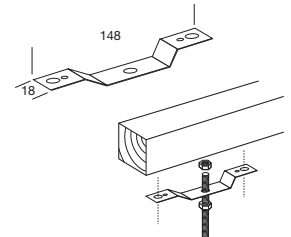
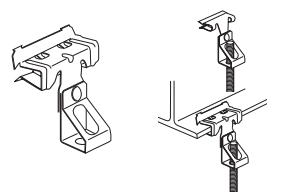
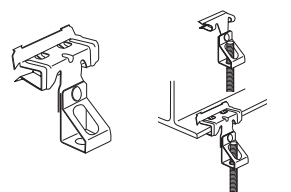
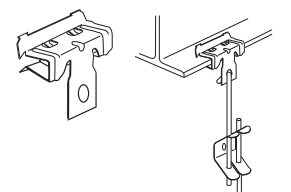
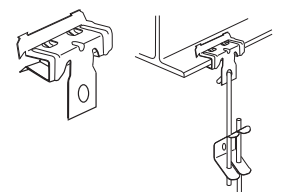
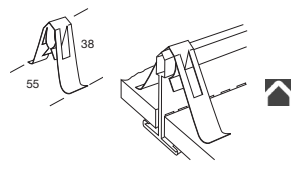
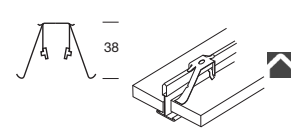
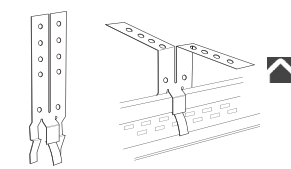
Suspension & Accessories

Item Nr.	Description	Dimensions length (mm)	Content / Carton pcs	Weight / Carton kg	Admissible Load* kg	
	A 10202 H	Upper part of nonius	300	100	5,10	33
	A 10203 H	Upper part of nonius	400	100	7,20	
	A 10204 H	Upper part of nonius	500	100	9,00	
	A 10205 H	Upper part of nonius	600	100	11,00	
	A 10206 H	Upper part of nonius	700	100	12,80	
	A 10208 H	Upper part of nonius	800	100	15,50	
	A 10230 G	Bottom part of nonius hanger	190	100	4,30	
	A 10229 G	Pin to connect bottom & upper part of nonius	60	100	0,80	
	A 952 G	Suspension angle	3600	20	13,30	
	A 826 G	2 m hanger with hook	2000	100	20,00	
	A 827 G	1,7 m hanger with hook	1700	100	20,00	
	A 11 G	Small hook	120	100	2,00	
	A 12 H	Butterfly	55	100	1,00	
	A 829 H	Suspension hanger for T bar	130	100	2,80	33

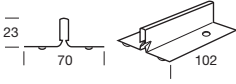


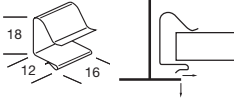
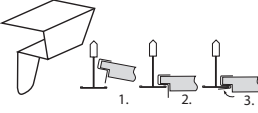
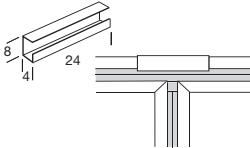

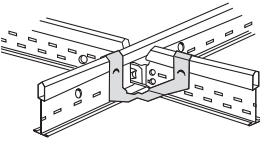
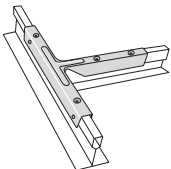
* **Note:** These admissible loads have been determined from laboratory tests in accordance with EN 13964 : 2004 and apply to the hangers and their grid connections only. No account has been taken of the strength of top fixings which must be selected as appropriate for the supporting structure and estimated load.

Availability of products may vary according to location.
 All measurements in millimetres. All sizes are nominal.
 Please contact our **Armstrong Technical Sales** for further details.

Suspension & Hold Down Clips

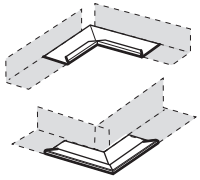
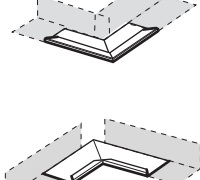
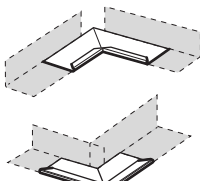
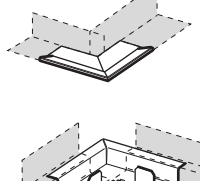
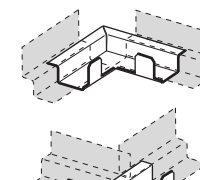
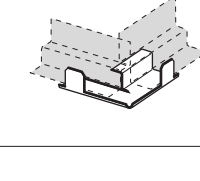
Item Nr.	Description	Dimensions length (mm)	Content / Carton pcs	Weight / Carton kg	
	A 1837 G	Rocking hanger	82	100	2,00
	A 1838 G	Hanger for wooden beam	148	100	3,20
	A 1820 G	Beam flange clip 1,6 - 4,8 mm thickness	-	100	2,20
	A 1821 G	Beam flange clip 4,8 - 9,5 mm thickness	-	100	3,20
	A 1822 G	Clip for quick hanger 1,6 - 4,8 mm thickness	-	100	0,80
	A 1823 G	Clip for quick hanger 4,8 - 9,5 mm thickness	-	100	3,00
	A 7890 G	Universal retaining clip	-	100	0,40
	A 819 G	Locking hold down clip, 6-30 mm tiles (Peakform & Square bulb)	64	500	2,40
	A 1060	T35 Hold down clip for panels up to 110 mm thick	-	250	3,10

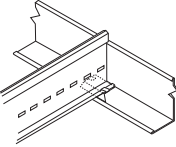
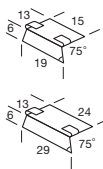
Hold Down Clips & Accessories

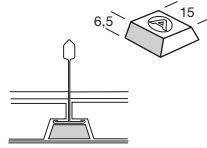
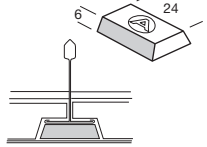
	Item Nr.	Description	Dimensions length (mm)	Content / Carton pcs	Weight / Carton kg
	EHDC 58 AG	Exterior hold down clip (Peakform & Square bulb)	102	125	7,00
	A 7912 G	Hold down clip for 40 mm soft fibre panels	68	100	1,10
	A 7902 G	Hold down clip for 18-25 mm soft fibre panels	40	100	1,10
	A 426	Board access clip	-	100	0,40
	A 7930 G	Last tile clip Tegular	40	25	0,05
	A 7931 G	Last tile clip MicroLook	40	25	0,05
	MCC4 G	Mitre closure clip for 6 mm Silhouette	-	200	0,30
 	LFC G	Peakform Corner support of lay-in light (Silhouette & 15 mm grid)	-	50	0,45
	A 131 G	T bar saddle clip (Peakform & Square bulb)	98	100	2,70

Availability of products may vary according to location.
 All measurements in millimetres. All sizes are nominal.
 Please contact our **Armstrong Technical Sales** for further details.

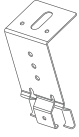
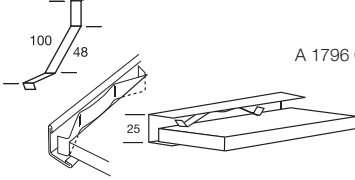
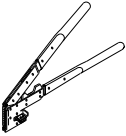
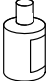
Perimeter Accessories

Item Nr.	Description	Dimensions length (mm)	Content / Carton pcs	Weight / Carton kg
 A 328 G	Inside corner 19 mm	58	100	0,90
 A 329 G	Outside corner 19 mm	65,50	100	1,20
 A 330 G	Inside corner 24 mm	58	100	0,90
 A 331 G	Outside corner 24 mm	65,50	100	1,20
 A 332 G	Inside corner for shadowline T 1508 HB	72	100	1,60
 A 333 G	Outside corner for shadowline T 1508 HB	57,20	100	1,20

 A 0415 G	MicroLook border clip	19	500	0,80
 A 0324 G	Tegular border clip	29	500	1,20

 A 156 G	Perimeter fill-in for 15 mm grid	-	500	0,40
 A 246 G	Perimeter fill-in for 24 mm grid	-	500	0,50

Additional Accessories

Item Nr.	Description	Dimensions length (mm)	Content / Carton pcs	Weight / Carton kg
 A 1050 G	Residential strap hanger	155	100	3,30
 A 1051 G	Residential strap hanger	310	100	6,50
 A 1052 G	Bent Residential strap hanger	73	100	2,50
 A 1796 G	Border wedge	-	200	1,50
 UPC AG	Universal partition clip for 24 and 15 mm incl. Silhouette and Interlude grids	-	200	4,10
 C 1430 G	Variable placement hook end detail to suit on site	63,50	200	2,00
 A 7876 A	Slot tool for hour glass slots	-	1	1,10
 A SP H	Grid touch-up paint	-	1	0,20

Availability of products may vary according to location. All measurements in millimetres. All sizes are nominal. Please contact our **Armstrong Technical Sales** for further details.

CENTRAL EUROPE NORTH
(DK/EE/FIN/IS/LT/LV/N/PL/S)
 Armstrong Building Products B.V.
 Sp. z o.o. Oddział w Polsce
 Ul. Domaniewska 37
 02-672 Warszawa
 Poland
Tel. : (+48) 22 337 86 10 / 86 11
 Fax : (+48) 22 337 86 12
 e-mail : service-ce@armstrong.com

Latvia : www.armstrong.lv
Lithuania : www.armstrong.lt
Norway : www.armstrong.no
Poland : www.armstrong.pl
Sweden : www.armstrong.se