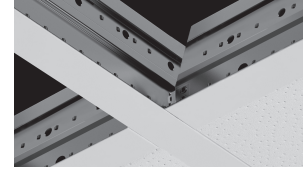
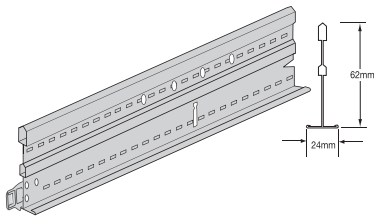


PRELUDE SIXTY²



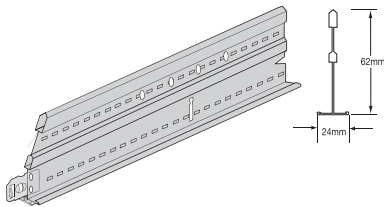
Exposed 24 mm grid system (nominal).
 Double Peakform Main Runner section requiring less suspension points and compatible with Prelude 24 XL² and TLX Cross Tees.

Universal Main Runner Prelude Sixty² Double Peakform with Superlock Clip (bulb to bulb connection)



Item Nr.	Dimensions		Content / Carton		Weight / Carton kg	Cartons / Pallet
	Length (mm)	Height (mm)	pcs	lm		
40 40 93 G ⁽¹⁾	3600	62	12	43,20	21,90	36
40 41 93 G ⁽¹⁾	3750	62	12	45,00	22,80	36
40 43 93 G ⁽¹⁾	3375	62	12	40,50	20,60	36

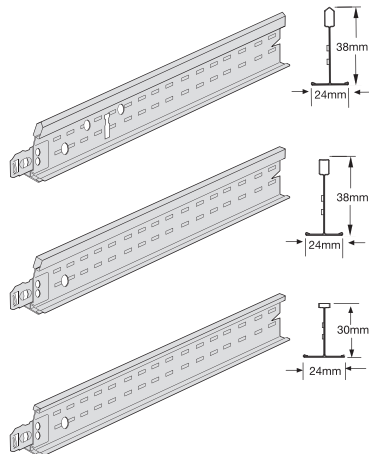
Cross Tees Prelude Sixty² (stab system, override)



Cross Tees slotted at 300mm

40 09 93 ⁽¹⁾	2400	62	20	48	22,90	20
40 34 93 ⁽¹⁾	1800	62	20	36	17,15	20

Cross Tees Prelude 24 XL² (stab system, override)



Cross Tees slotted

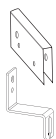
31 33 31	1350	38	60	81,00	17,20	20
31 31 51 B ⁽²⁾	1250	38	60	75,00	18,90	72
31 30 51 B ⁽²⁾	1200	38	60	72,00	18,20	72
31 32 31 ⁽³⁾	1000	38	60	60,00	15,10	42

31 34 31 A	1800	38	30	54,00	17,00	20
------------	------	----	----	-------	-------	----

Cross Tees unslotted

31 16 32	750	38	60	45,00	14,70	72
31 25 32	312,50	38	60	18,75	4,60	144
31 24 32	300	38	60	18,00	4,60	144
31 23 21	675	30	60	40,50	7,70	144
31 21 23 A ⁽²⁾	625	30	60	37,50	8,60	144
31 20 21 A ⁽²⁾	600	30	60	36,00	8,20	144
31 22 21 ⁽³⁾	500	30	60	30,00	6,80	84

Accessories



Item Nr.	Description	Dimensions		Content/Carton pcs	Weight/ Carton kg
		Length (mm)	Height (mm)		
A 401 G	Top Connector Clip accessory for Prelude Sixty ² (Included in the carton)	-	-	-	-
A WDN 23 G	Double bent tee bar hanger	57	36	100	2,30

All products standard in Global White. Other standard colours available for item numbers with index (1), (2) or (3). See details below.
 (1) Also available in RAL 9010 (WR), RAL 9006 (SG) and Black (BK).
 (2) Colours available : Carrara (CA), Platinum (PN), Black (BK), RAL 9006 (SG), Brass (BS), Chrome (CE), White RAL 9010 (WR).
 (3) Also available in RAL 9010 (WR).
 All measurements in millimetres. All sizes are nominal.



Section Drawings

Universal Main Runner Prelude Sixty²

Length	156,25	11 x 312,5	156,25
3750	156,25	11 x 312,5	156,25
3600	150	11 x 300	150
3375	168,75	9 x 337,5	168,75

Cross Tees Prelude Sixty²

Length	300	6 x 300	300
2400	300	6 x 300	300
1800	300	4 x 300	300

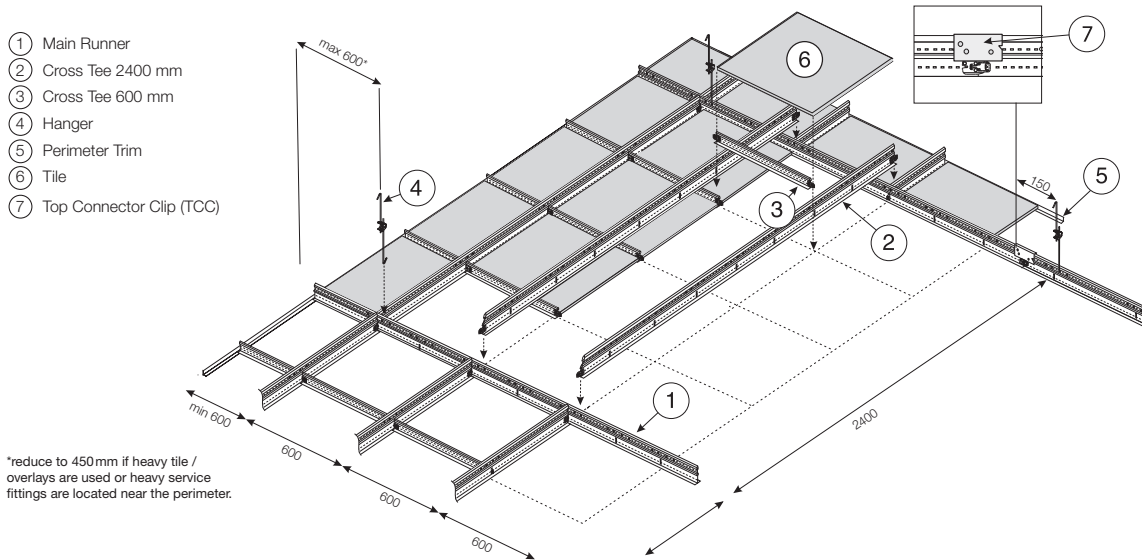
Cross Tee Prelude 24 XL²

Length	300	4 x 300	300
1800	300	4 x 300	300
1350	337,5	2 x 337,5	337,5
1250	312,5	2 x 312,5	312,5
1200	300	2 x 300	300
1000	250	2 x 250	250

Cross Tee Prelude 24 XL²

750 / 675 / 625 / 600 / 500 / 312,50 / 300
--

System Drawing (module 2400 x 600 mm)



⑥ Tile	Main Runner centres	Quantities required per 1m ² (no waste included)				
		① Main Runner	② Cross Tee 2400 mm	② Cross Tee 1800 mm	② Cross Tee 1200 mm	③ Cross Tee 600 mm
600 x 600 mm	2400 mm	0,42 lm	1,67 lm	-	-	1,25 lm
	1800 mm	0,56 lm	-	1,67 lm	-	1,11 lm
	1200 mm	0,84 lm	-	-	1,67 lm	1,84 lm
	600 mm	1,67 lm	-	-	-	1,67 lm

⑤ Perimeter trim approx. 0,70 lm/m²

The chart is for general guidance only.



Grid Load Capacities

Prelude Sixty² System The following table gives the maximum permitted hanger distance (mm) along the double Peakform Main Runner (40 40 93 G) for the tile weights and Main Runner spacings noted.

Configuration (Main runner horizontal)	Cross Tees Prelude 24 XL ²			Cross Tees Prelude Sixty ²			
	40 40 93 G 31 20 21 A	40 40 93 G 31 30 51 B 31 20 21 A	40 40 93 G 31 34 31 A 31 20 21 A	40 40 93 G 40 09 93 31 20 21 A	40 40 93 G 40 09 93 31 30 51 B 31 20 21 A	40 40 93 G 40 34 93 31 20 21 A	40 40 93 G 40 34 93 31 30 51 B 31 20 21 A
Load/m ²							
	SUSPENSION SPACING ON MAIN RUNNER IN MM						
2.5	2400	2400	2250	2100	2150	2250	2300
3	2400	2400	2200	2050	2050	2200	2200
3.5	2400	2350	2150	2000	2000	2150	2150
4	2400	2300	2050	1900	-	2050	2100
5	2400	2200	2000	1750	-	2000	2000
5.5	2400	2150	1900	1650	-	1900	1900
6	2400	2100	1850	1600	-	1850	1850
7	2400	2050	-	1500	-	1700	1700
7.5	2400	2000	-	1400	-	1650	1650
8.5	2350	1900	-	-	-	1550	1550
9.5	2250	1800	-	-	-	1450	1450
10.5	2200	1700	-	-	-	1400	-
13	2100	1550	-	-	-	1250	-

- Values in the above table conform to Class 1 as defined in EN 13964:2004+A1:2006 table 6. For other classes /deflection limits please contact us.
- Values are determined from laboratory tests methods in accordance with EN 13964:2004+A1:2006 clause 5.
- Values are applicable for 600 x 600 mm tiles assuming that the maximum deflection of the grid is L/500 but not greater than 4 mm (L = span), taking in consideration the bending moment.
- No other applied loads such as luminaires, air diffusers, smoke detectors, sprinklers, hanging signs etc. are permitted.**
- No overlays such as mineral wool or fibre glass quilts, as may be required for enhanced acoustic, fire or thermal performance, are permitted unless their full weight is established and included, together with the weight of the tile, within the appropriate weight groups.
- For grid loading data calculated to different criteria than Class 1 to EN13964:2004+A1:2006, please contact us.
- The above loading figures are calculated and based upon the use of the bent and quick suspension hangers family range.

Availability of products may vary according to location. Please contact us for further details.